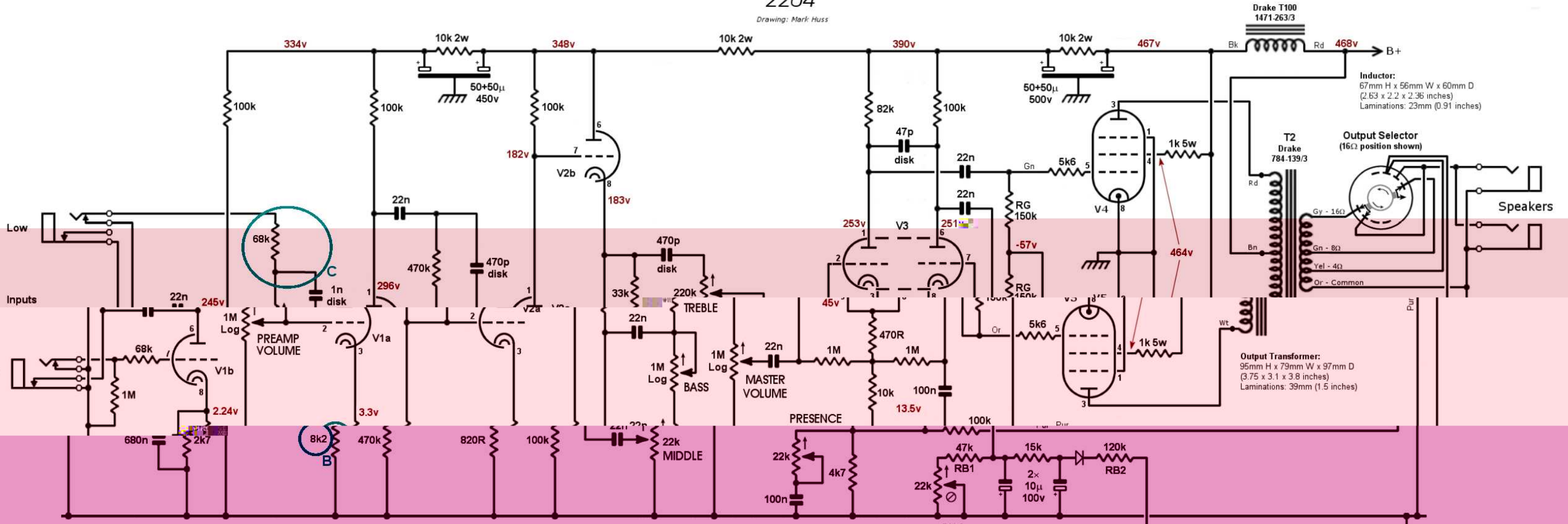


# JCM 800 LEAD SERIES

2204

Drawing: Mark Huss



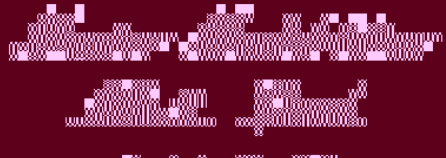
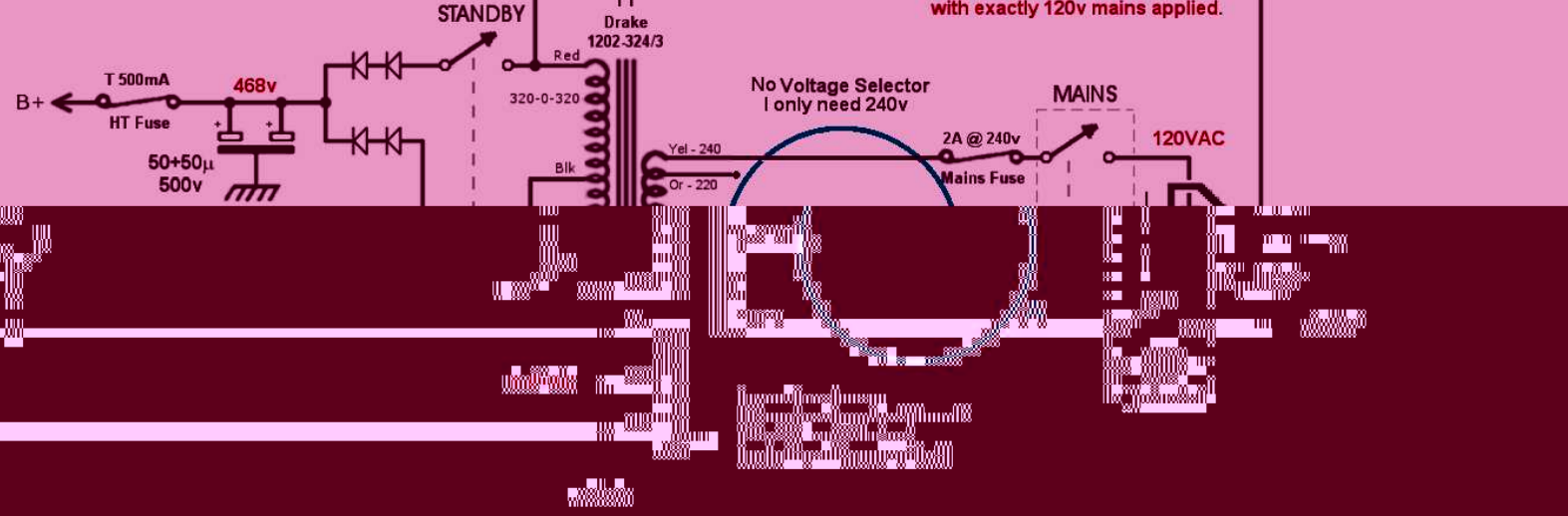
UNLESS OTHERWISE INDICATED:  
 • All Resistors 1/2w Carbon Film  
 • All Capacitors 400v Polyester  
 • All Diodes 1N4007

For all but USA:  
 • EL34 Output Tubes  
 • RG = 220k  
 • RB1 = 56k  
 • RB2 = 220k

All voltages were measured  
with exactly 120v mains applied.

do not need a Voltage selector switch, so i left it out.  
changed the 10k to 100k

V1 ECC83 12AX7  
 V2 ECC83 12AX7  
 V3 ECC83 12AX7  
 V4 6550  
 V5 6550



Resistor: 100k